

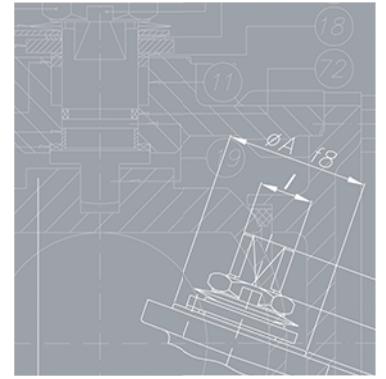
Technical Datasheet

ANSI Ball Valves

3515
3530

JC
VALVES

The quality option



sales@jc-valves.com

www.jc-valves.com



TA-LUFT



6D-0197
600-0016



FUGITIVE
EMISSIONS

EN-ISO 15848-1

- Valve design: Full Bore API 6D
- Body design: ASME VIII Div.1
- Shell thickness: ASME 16.34
- Flanges: ASME B16.5 Raised Face
- Face to face dimensions: ASME B16.10 Long Pattern
- Marking: API 6D / CE- PED
- Fire Safe certification: ISO 10497
- Pressure testing: API 598 - API 6D
- Other: ATEX
- Shell finishing quality: MSS SP 55

Certifications

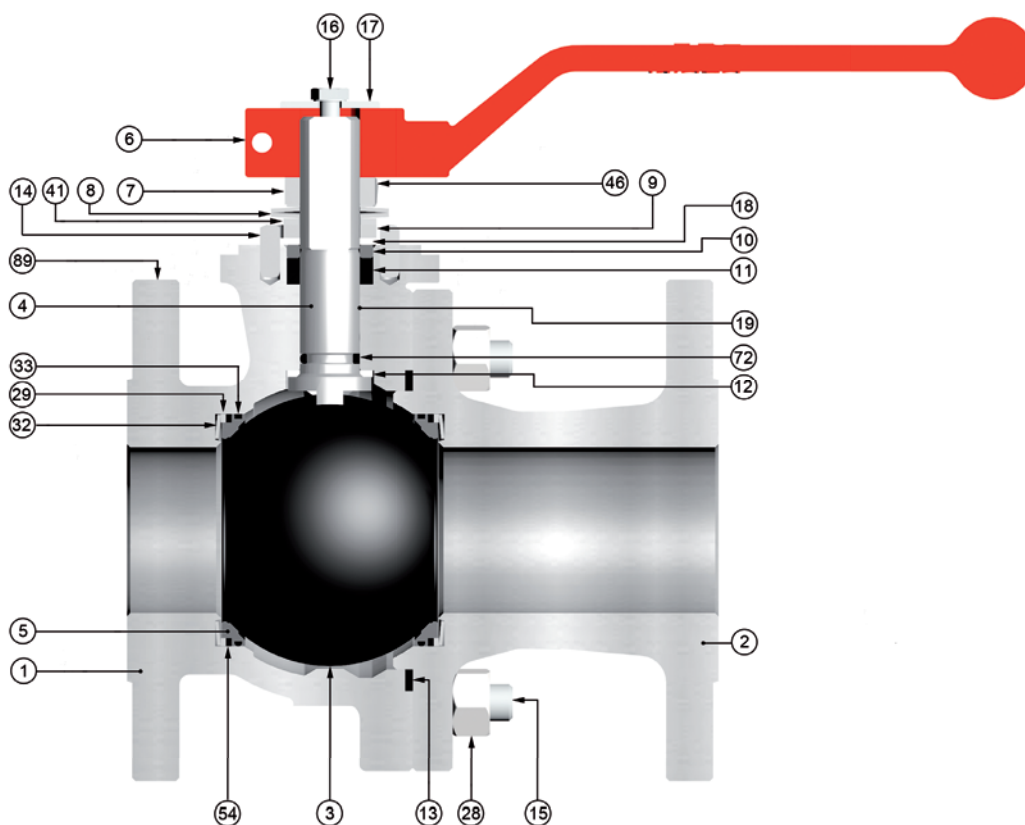
Company Certifications

- ISO9001 Quality Management System
- ISO14001 Environmental Management System
- AD2000-Merkblatt W0/A4
- API Monogram License 6D-0197, 600-0016

Product Certificates

- Fire Safe API 607, ISO 10497, API 6FA
- Fugitive Emissions ISO 15848 TA LUFT (VDI 2440)
- PED 2014/68/EU - CE marking
- ATEX 2014/34/EU- (II2GD)
- Russian Federation Certificate TRCU 10, TRCU 12, TRCU 32
- Food processing and pharmaceutical industry FDA, USP CLASS VI COMPLIANCE (CE 1935/2004)
- Safety Integrity Level (SIL) LEVEL 3 IEC 61508
- CRN (Canadian Registration Number)

ANSI Ball Valves Flowating



Other materials upon request

| Item | Description | Material | |
|-------|-----------------------|----------------------------------|---------------------|
| | | A.I.T | I.I.T |
| 1 / 2 | Body / Body Connector | A 216 Gr. WCB (C ≤ 0,25%) | ASTM A 351 Gr. CF8M |
| 3 | Ball | AISI 316 + TCC | |
| 4 | Stem | 17.4PH | |
| 5 | Seat ring | AISI 316 + TCC | |
| 6 | Wrench | Nodular Iron | |
| 7 | Gland nut | Zinc plated carbon steel | |
| 8 | Disk spring | INCONEL 718 | |
| 9 | Stop plate | Carbon St. | AISI 304 |
| 10 | Gland | AISI 303 | AISI 316 |
| 11 | Gland packing | Graphite | |
| 12 | Stem thrust seal | AISI 316 + HT-65 | |
| 13 | Body connector seal | SPW AISI 316L + Graphite | |
| 14 | Stop pin | Carbon St. | Stainless St. |
| 15 | Stud | A 193 Gr. B7M Zinc Dichromate | A 193 Gr. B8M |
| 16 | Bolt | DIN 933 A2-70 | DIN 933 A4-70 |
| 17 | Washer | Zinc plat. carbon steel | AISI 304 |
| 18 | Thrust washer | AISI 316 + HT-65 | |
| 19 | Antistatic device | Stainless St. | |
| 28 | Nut | A194 Gr. 2HM Zinc Dichromate | AISI 304 |

| Item | Description | Material | |
|------|---------------------|------------------|----------|
| | | A.I.T | I.I.T |
| 29 | Washer | AISI 316 + HT-65 | |
| 32 | Trunnion Bearing | INCONEL 750 | |
| 33 | Seat Seal | AFLAS | |
| 41 | Spacer | Carbon Steel | AISI 304 |
| 46 | Locking Washer | AISI 304 | |
| 54 | Seat Seal | Graphite | |
| 72 | Stem O-ring | AFLAS | |
| 89 | Identificaton Plate | Stainless St. | |

OPTIONS

#3-Ball: Slurry

#4-Stem: Nitronic 50

#5-Seat Ring: Paper & Pulp

#33-Seat Seal & #72-Stem O-ring: Kalrez (4079, 6375, 7075)

Maximum Temperature for Kalrez 7075: 327°C (620°F)

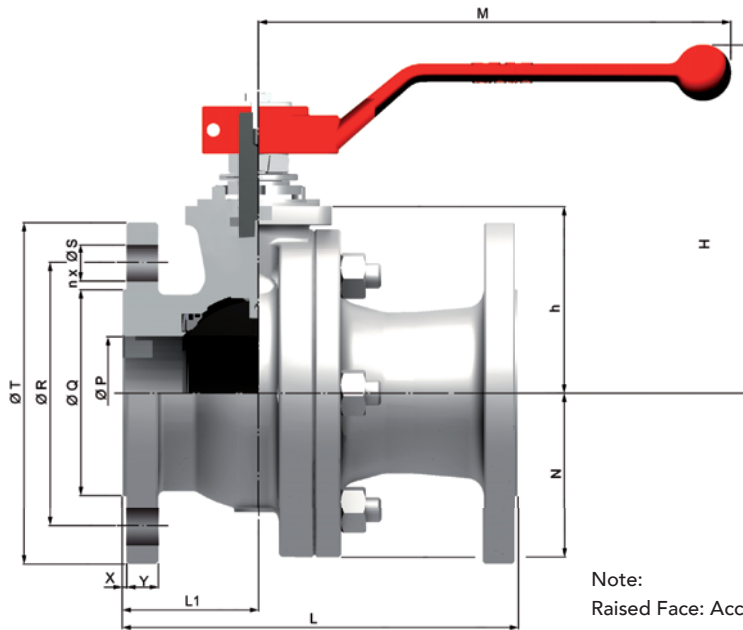
ANSI Ball Valves

Floating

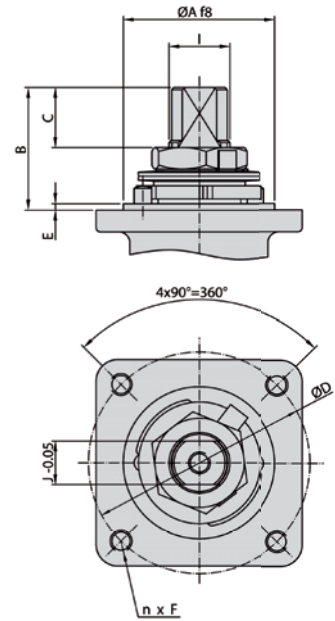
Series 3515 (Class 150)

Series 3530 (Class 300)

Actuator Connection



Note:
Raised Face: Acc. MSS SP-6



* Weight in Kg * Dimensions in mm

| DN | ØP | L | L1 | ØQ | ØR | n x ØS | ØT | X | Y | h | H | M | N | WEIGHT | Kv |
|-------------|-----|-----|------|-------|-------|--------|-----|---|------|------|-----|-----|-----|--------|------|
| 15 (1/2") | 15 | 108 | 47 | 34,9 | 60,3 | 4x15,9 | 90 | 2 | 8 | 46 | 111 | 164 | --- | 2 | 20 |
| 20 (3/4") | 20 | 117 | 50 | 42,9 | 69,9 | 4x15,9 | 100 | 2 | 8,9 | 53 | 118 | 164 | --- | 3 | 40 |
| 25 (1") | 25 | 127 | 52 | 50,8 | 79,4 | 4x15,9 | 110 | 2 | 9,6 | 58 | 130 | 164 | --- | 3,5 | 75 |
| 40 (1 1/2") | 40 | 165 | 65 | 73 | 98,4 | 4x15,9 | 125 | 2 | 12,7 | 76 | 148 | 213 | --- | 8 | 170 |
| 50 (2") | 50 | 178 | 61 | 92,1 | 120,7 | 4x19,1 | 150 | 2 | 14,3 | 83,5 | 155 | 213 | --- | 11 | 270 |
| 65 (2 1/2") | 65 | 190 | 75 | 104,8 | 139,7 | 4x19,1 | 180 | 2 | 15,9 | 97 | 169 | 348 | --- | 16 | 550 |
| 80 (3") | 80 | 203 | 78,5 | 127 | 152,4 | 4x19,1 | 190 | 2 | 17,5 | 111 | 207 | 445 | --- | 23 | 1000 |
| 100 (4") | 100 | 229 | 90 | 157,2 | 190,5 | 8x19,1 | 230 | 2 | 22,3 | 133 | 232 | 495 | 120 | 38 | 1650 |
| 150 (6") | 151 | 394 | 174 | 215,9 | 241,3 | 8x22,2 | 280 | 2 | 23,9 | 183 | 299 | 698 | 168 | 88 | 4200 |
| 200 (8") | 203 | 457 | 200 | 269,9 | 298,5 | 8x22,2 | 345 | 2 | 27 | 233 | 353 | 868 | 208 | 155 | 9000 |

| DN | ØP | L | L1 | ØQ | ØR | n x ØS | ØT | X | Y | h | H | M | N | WEIGHT | Kv |
|-------------|-----|-----|-----|-------|-------|---------|-----|---|------|------|-----|-----|-----|--------|------|
| 15 (1/2") | 15 | 140 | 60 | 34,9 | 66,7 | 4x15,9 | 95 | 2 | 12,7 | 46 | 111 | 164 | --- | 3 | 20 |
| 20 (3/4") | 20 | 152 | 65 | 42,9 | 82,6 | 4x19,1 | 115 | 2 | 14,3 | 53 | 118 | 164 | --- | 4 | 40 |
| 25 (1") | 25 | 165 | 70 | 50,8 | 88,9 | 4x19,1 | 125 | 2 | 15,9 | 58 | 130 | 164 | --- | 5 | 75 |
| 40 (1 1/2") | 40 | 190 | 80 | 73 | 114,3 | 4x22,2 | 155 | 2 | 19,1 | 76 | 148 | 213 | --- | 11 | 170 |
| 50 (2") | 50 | 216 | 83 | 92,1 | 127 | 8x19,1 | 165 | 2 | 20,7 | 83,5 | 155 | 213 | --- | 14 | 270 |
| 80 (3") | 80 | 282 | 118 | 127 | 168,3 | 8x22,2 | 210 | 2 | 27 | 111 | 207 | 445 | --- | 32 | 1000 |
| 100 (4") | 100 | 305 | 133 | 157,2 | 200 | 8x22,2 | 255 | 2 | 30,2 | 133 | 232 | 495 | --- | 52 | 1650 |
| 150 (6") | 151 | 403 | 160 | 215,9 | 269,9 | 12x22,2 | 320 | 2 | 35 | 183 | 299 | 698 | 168 | 94 | 4200 |

| DN | ISO 5211 | ØA | B | C | ØD | n x F | E | I | J |
|-------------|----------|-----|------|------|-----|--------|-----|---------|----|
| 15 (1/2") | F05 | 35 | 11,2 | 5 | 50 | 4x M6 | 1,5 | M12x1.5 | 9 |
| 20 (3/4") | F05 | 35 | 14,7 | 8,5 | 50 | 4x M6 | 1,5 | M12x1.5 | 9 |
| 25 (1") | F05 | 35 | 22,7 | 9,5 | 50 | 4x M6 | 1,5 | M12x1.5 | 9 |
| 40 (1 1/2") | F07 | 55 | 41,5 | 18,3 | 70 | 4x M8 | 3 | M18x1.5 | 13 |
| 50 (2") | F07 | 55 | 41,5 | 18,3 | 70 | 4x M8 | 3 | M18x1.5 | 13 |
| 65 (2 1/2") | F07 | 55 | 44 | 18,6 | 70 | 4x M8 | 3 | M22x1.5 | 16 |
| 80 (3") | F10 | 70 | 44,5 | 18,6 | 102 | 4x M10 | 3 | M25x1.5 | 18 |
| 100 (4") | F10 | 70 | 56,5 | 27,8 | 102 | 4x M10 | 3 | M28x1.5 | 20 |
| 150 (6") | F12 | 85 | 68 | 37,1 | 125 | 4x M12 | 3 | M40x2 | 29 |
| 200 (8") | F14 | 100 | 72 | 36,5 | 140 | 4x M16 | 4 | M45x2 | 32 |

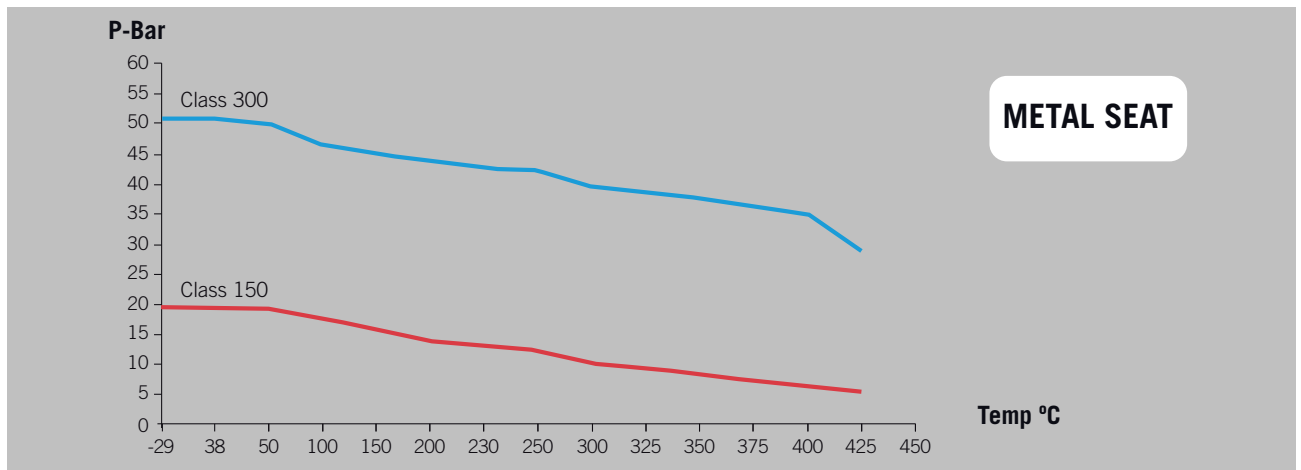
Differential Pressure 150 Lbs

| DN | BTO | RTO | ETO | BTC | RTC | ETC | MAST |
|-----|-----|-----|-----|-----|-----|-----|-------|
| 15 | 20 | 10 | 12 | 15 | 10 | 16 | 92 |
| 20 | 26 | 13 | 16 | 20 | 13 | 21 | 92 |
| 25 | 27 | 14 | 16 | 20 | 14 | 22 | 92 |
| 40 | 70 | 35 | 42 | 53 | 35 | 56 | 299 |
| 50 | 70 | 35 | 42 | 53 | 35 | 56 | 299 |
| 65 | 88 | 44 | 53 | 66 | 44 | 70 | 623 |
| 80 | 110 | 55 | 66 | 83 | 55 | 88 | 871 |
| 100 | 234 | 117 | 140 | 176 | 117 | 187 | 1.079 |
| 150 | 330 | 165 | 198 | 248 | 165 | 264 | 3.445 |
| 200 | 820 | 410 | 492 | 615 | 410 | 656 | 4.904 |
| - | - | - | - | - | - | - | - |
| - | - | - | - | - | - | - | - |

Differential Pressure 300 Lbs

| DN | BTO | RTO | ETO | BTC | RTC | ETC | MAST |
|-----|-----|-----|-----|-----|-----|-----|-------|
| 15 | 22 | 11 | 13 | 17 | 11 | 18 | 92 |
| 20 | 29 | 15 | 17 | 22 | 15 | 23 | 92 |
| 25 | 35 | 18 | 21 | 26 | 18 | 28 | 92 |
| 40 | 70 | 35 | 42 | 53 | 35 | 56 | 299 |
| 50 | 88 | 44 | 53 | 66 | 44 | 70 | 299 |
| 65 | -- | -- | -- | -- | -- | -- | -- |
| 80 | 234 | 117 | 140 | 176 | 117 | 187 | 871 |
| 100 | 330 | 165 | 198 | 248 | 165 | 264 | 1.079 |
| 150 | 820 | 410 | 492 | 615 | 410 | 656 | 3.445 |
| 200 | -- | -- | -- | -- | -- | -- | - |
| - | - | - | - | - | - | - | - |
| - | - | - | - | - | - | - | - |

Pressure – Temperature Charts



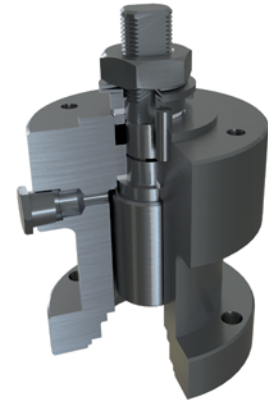
ANSI Ball Valves Flowing



Simple Stem Extension



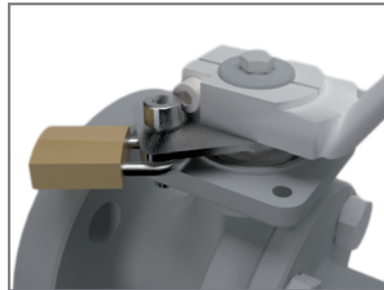
Standard Stem Extension



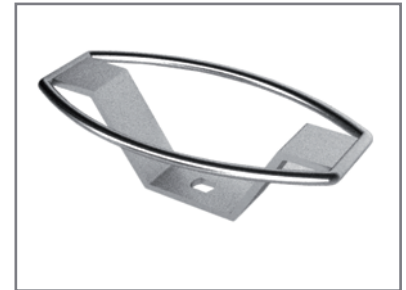
Double Packing Stem Extension



Stainless Steel Lever



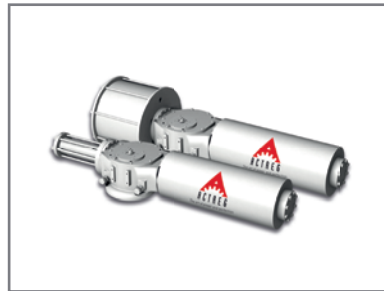
Locking Device



Oval Handwheel
Available from 1/2" to 2"



Manual and Declutchable
Gears



Pneumatic or Hydraulic
Scotch Yoke Actuators



Valve Automation option
available on Request