

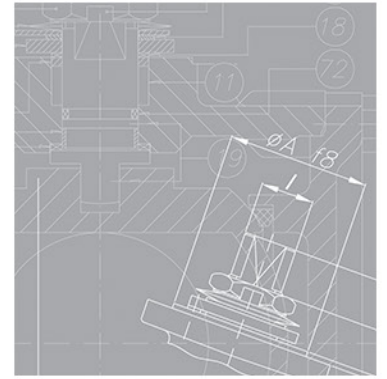
Technical Datasheet

ANSI Ball Valves

560

JC
VALVES

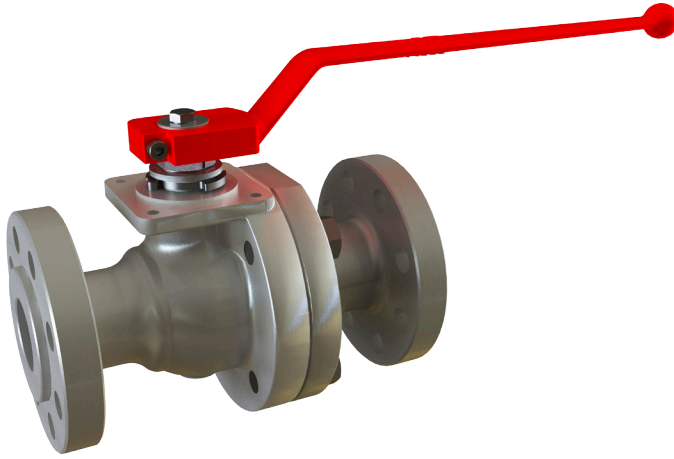
The quality option



sales@jc-valves.com

www.jc-valves.com

ANSI Ball Valves Floating



- Valve design: Full Bore API 6D
- Body design: ASME VIII Div.1
- Shell thickness: ASME 16.34
- Flanges: ASME B16.5 Raised Face
- Face to face dimensions: ASME B16.10 Long Pattern
- Marking: API 6D / CE- PED
- Fire Safe certification: ISO 10497
- Pressure testing: API 598 - API 6D
- Other: ATEX
- Shell finishing quality: MSS SP 55

Certifications

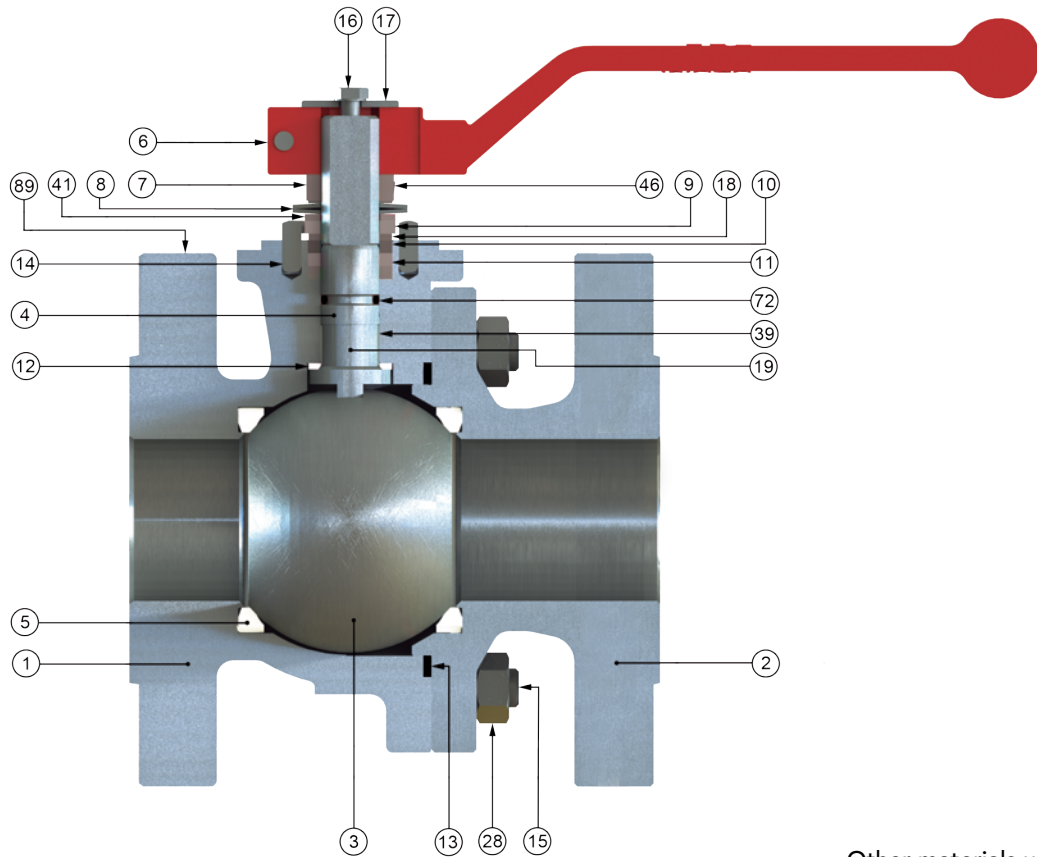
Company Certifications

- ISO9001 Quality Management System
- ISO14001 Environmental Management System
- AD2000-Merkblatt W0/A4
- API Monogram License 6D-0197, 600-0016

Product Certificates

- Fire Safe API 607, ISO 10497, API 6FA
- PED 2014/68/EU - CE marking
- ATEX 2014/34/EU– (II2GD)
- Russian Federation Certificate TRCU 10, TRCU 12, TRCU 32
- Food processing and pharmaceutical industry FDA, USP CLASS VI COMPLIANCE (CE 1935/2004)
- Safety Integrity Level (SIL) LEVEL 3 IEC 61508
- CRN (Canadian Registration Number)
- Tanks for the transport of dangerous goods-Tank equipment for the transport of liquid chemicals and liquefied gases - Product discharge and air inlet valves EN 14432

ANSI Ball Valves Flowing

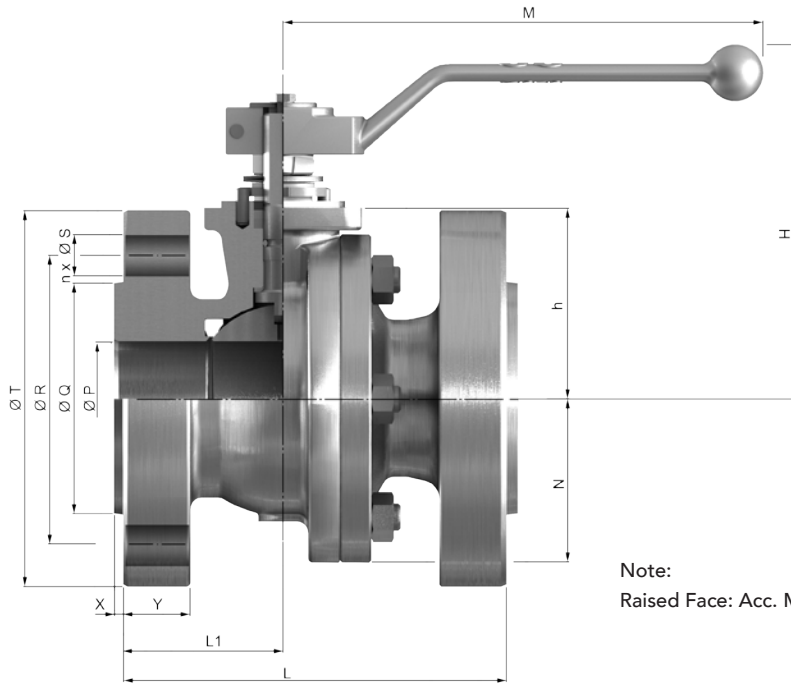


Other materials upon request

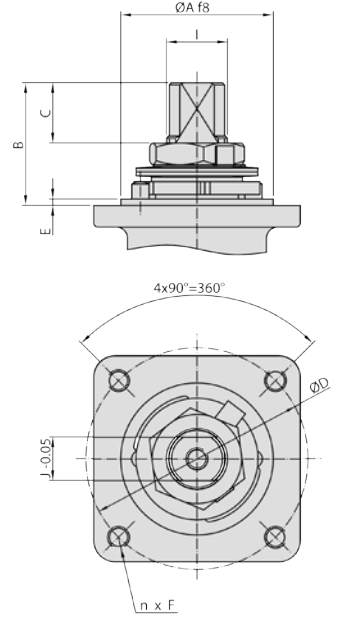
Item	Description	Material		
		A.I.N.	I.I.N.	L.I.N.
1 / 2	Body / Body Connector	A 216 Gr. WCB (C ≤ 0,25%)	ASTM A 351 Gr. CF8M	ASTM A 352 LCC
3	Ball	ASTM A 351 Gr. CF8M (DN 15 : 25 ASTM A 479 Tp.316)		
4	Stem	ASTM A 479 Tp.316		
5	Seat ring	NYLON		
6	Wrench	Nodular Iron		
7	Gland nut	Zinc plated carbon steel	AISI 303	
8	Disk spring	Carbon St.	A 666 TP.301	
9	Stop plate	Carbon St.	AISI 304	
10	Gland	AISI 303	AISI 316	
11	Gland packing	Graphite		
12	Stem thrust seal	25% G.F. PTFE		
13	Body connector seal	SPW AISI 316L + PTFE + Graphite		
14	Stop pin	Carbon St.	Stainless St.	
15	Bolt (DN 32 to DN 100 Stud)	A 193 Gr. B7M Zinc Dichromate	A 193 Gr. B8M	A 193 Gr. L7M Zinc Dichromate
16	Bolt	DIN 933 A2-70		DIN 933 A4-70
17	Washer	Zinc plated carbon steel	AISI 304	
18	Thrust washer	25% G.F. PTFE		
19	Antistatic device	Stainless St.		
28	Nut (DN 32 to DN 100)	A 194 Gr. 2HM Zinc Dichromate	A 194 Gr. 8M	A 194 Gr. 7M Zinc Dichromate
39	Stem bushing (DN 25 to DN 200)	25% G.F. PTFE		
41	Spacer (DN 40 to 200)	Carbon St.	AISI 304	
46	Washer	AISI 304		
72	O" Ring	FKM		
89	Identificaton Plate	Stainless St.		

ANSI Ball Valves

Floating



Note:
Raised Face: Acc. MSS SP-6



Series 560 (Class 600)

DN	ØP	L	L1	ØQ	ØR	n x ØS	ØT	X	Y	h	H	M	N	WEIGHT	Kv
50 (2")	50	292	120	92,1	127	8x19,1	165	7	25,4	84,5	181	445	89	29	270
80 (3")	80	356	151	127	168,3	8x22,2	210	7	31,8	122	231	698	113	42	1000
100 (4")	100	432	172	157,2	215,9	8x25,4	275	7	38,1	139	248	698	---	78	1650

* Weight in Kg * Dimensions in mm

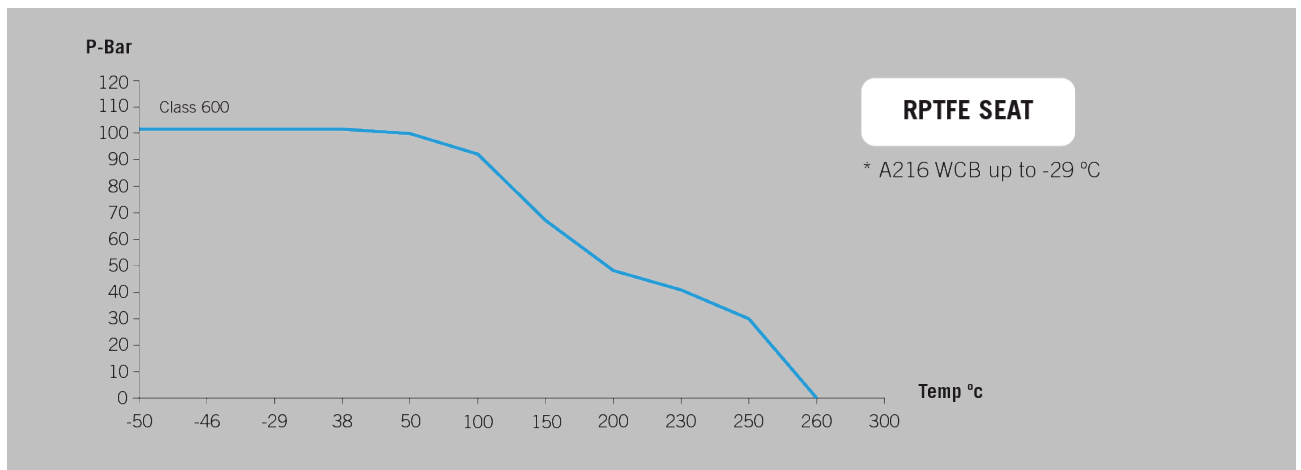
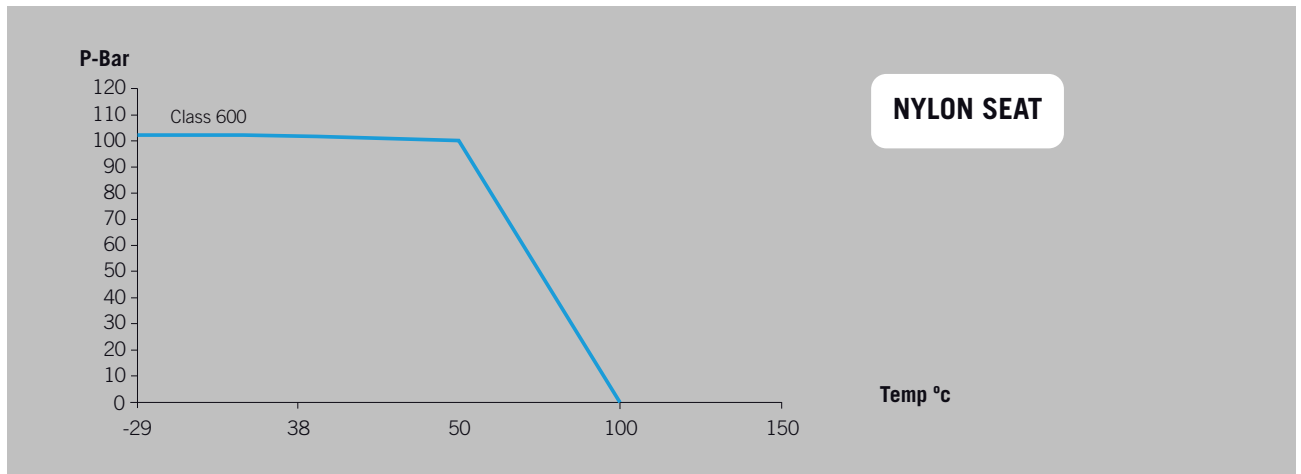
Actuator Connection

DN	ISO 5211	ØA	B	C	ØD	n x F	E	I	J
50 (2")	F10	70	45	19,1	102	4x M10	3	M25x1.5	18
80 (3")	F12	85	55,5	24,3	125	4x M12	3	M35x2	25
100 (4")	F12	85	55	23,8	125	4x M12	3	M35x2	25

Differential Pressure 600 Lbs

DN	BTO	RTO	ETO	BTC	RTC	ETC	MAST
15	-	-	-	-	-	-	-
20	-	-	-	-	-	-	-
25	-	-	-	-	-	-	-
32	-	-	-	-	-	-	-
40	-	-	-	-	-	-	-
50	114	57	68	86	57	91	246
65	-	-	-	-	-	-	-
80	310	155	186	233	155	248	607
100	484	242	290	363	242	387	607
125	-	-	-	-	-	-	-
150	-	-	-	-	-	-	-
200	-	-	-	-	-	-	-

Pressure – Temperature Charts



ANSI Ball Valves
F l o a t i n g



Simple Stem Extension



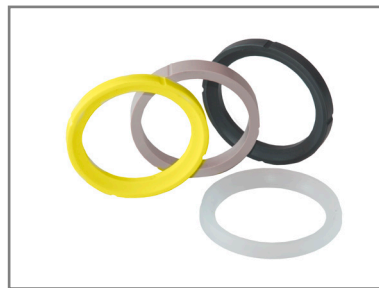
Standard Stem Extension



Double Packing Stem Extension



Cavity Relief Seat



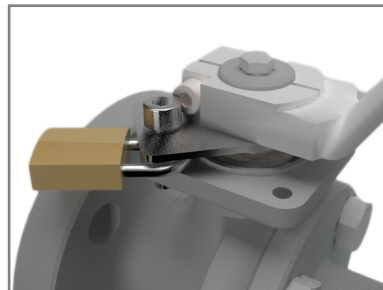
Other Seat materials



Cavity Filler Seat



Stainless Steel Lever



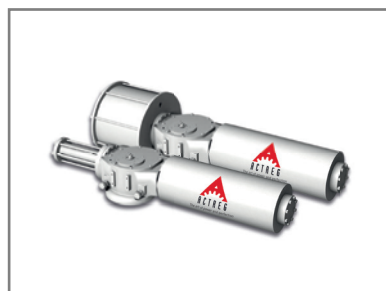
Locking Device



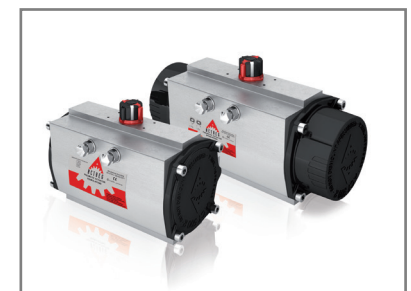
Oval Handwheel
Available from 1/2" to 2"



Manual and Declutchable Gears



Pneumatic or Hydraulic Scotch Yoke Actuators



Valve Automation option available on Request