



Three Pieces Ball Valves

1000 WOG (63 bar)

Size ¼" – 4" (DN 10 -100) Stainless Steel



Fig. 140IMF FULL BORE

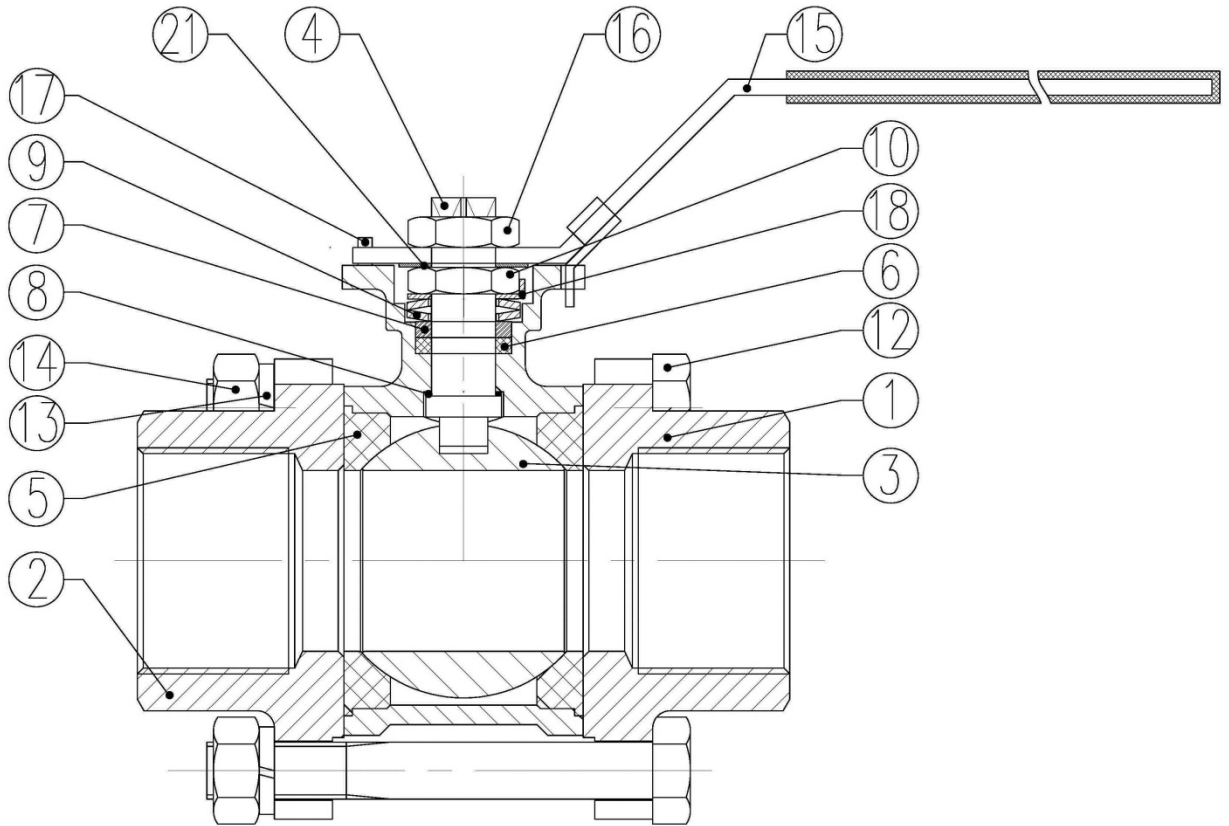
Threaded according:
DIN 259/2999 (GAS)



Three Pieces Ball Valves

1000 WOG (63 bar)

Parts and materials

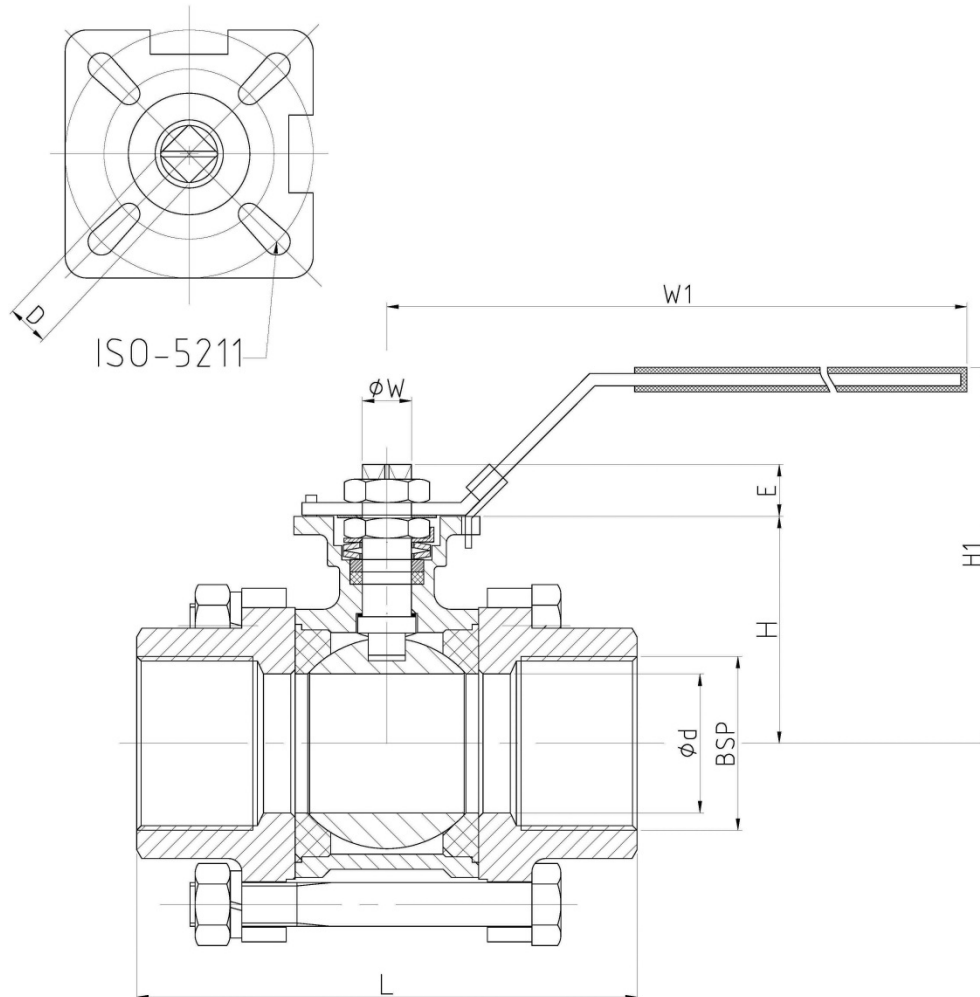


Item	Description	Material
1	Body	AISI 316
2	Body connector	AISI 316
3	Ball	AISI 316
4	Stem	AISI 316
5	Seat ring	PTFE
6	Stem packing	PTFE .
7	Ring	AISI 304
8	Seat thrust seal	PTFE
9	Belleville washer	AISI 304
10	Gland Nut	AISI 304
12	Bolt	AISI 304
13	Washer	AISI 304
14	Nut	AISI 304
15	Handle	AISI 304+PVC
16	Handle nut	AISI 304
17	Stop pin	AISI 304
18	Locking washer	AISI 304
21	Washer	AISI 304

Three Pieces Ball Valves

1000 WOG (63 bar)

Dimensions



Dimensions

SIZE	N.P.S	Ød	L	W1	H	H1	E	D	ØW	ISO5211	WEIGHT
¼" (DN 10)	¼"	11,6	55	143	38	65	9	9	12	F04/03	0,58
⅜" (DN 12)	⅜"	12,5	60	143	38	65	9	9	12	F04/03	0,58
½" (DN 15)	½"	15	75	143	38	65	9	9	12	F04/03	0,57
¾" (DN 20)	¾"	20	80	143	47	76	9	9	12	F04/03	0,76
1" (DN 25)	1"	25	90	168	60	95	11	11	14	F05/04	1,03
1¼" (DN 32)	1¼"	32	110	168	62,7	95	11	11	14	F05/04	1,59
1½" (DN 40)	1½"	38	120	190	79	115	15	14	18	F07/05	2,3
2" (DN 50)	2"	50	140	190	88	124	15	14	18	F07/05	3,25
2½" (DN 65)	2½"	64	162	350	109,1	140	17	17	22	F10/07	6,9
3" (DN 80)	3"	76	184	350	116,2	150	17	17	22	F10/07	11
4" (DN 100)	4"	94	228	350	142	175	22	22	28	F12/07	19,2

(*) Dimensions in mm and weight in kg.

Note:

Dimensions not subject to International Standards can vary in $\pm 10\%$. ICP reserves the right to change those dimensions without notice, due to they do not affect integrity and performance of the valves.

ICP VALVES S.A.

E-Mail: sales@ icp-valves.com

Internet: www.icp-valves.com

Authorized Distributor



Three Pieces Ball Valves 1000 WOG (63 bar)

Torque, Kv, P&T Rating, Actreg Actuator

Torque Values in Nm

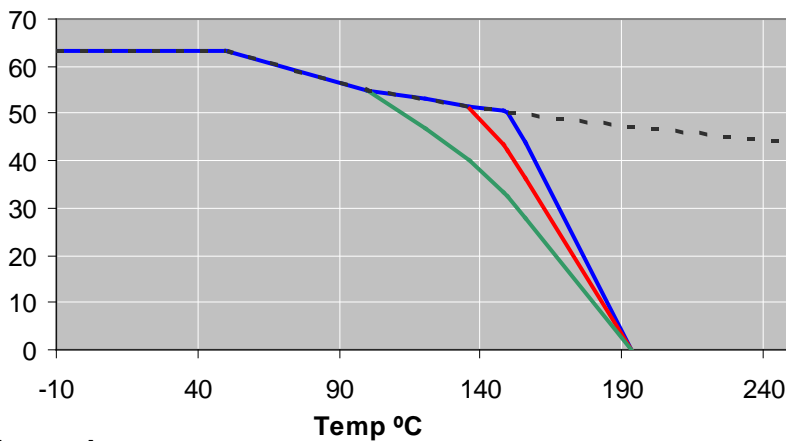
VALVE SIZE	AT DIFFERENTIAL PRESSURE 63 bar	VALVE SIZE	AT DIFFERENTIAL PRESSURE 63 bar
¼" (DN 10)	4,9	1½" (DN 40)	29,5
⅜" (DN 12)	4,9	2" (DN 50)	47
½" (DN 15)	4,9	2½" (DN 65)	58,3
¾" (DN 20)	6,5	3" (DN 80)	86,8
1" (DN 25)	13,7	4" (DN 100)	122,6
1¼" (DN 32)	21,6		

Kv Values in m³/h

VALVE SIZE	Kv	VALVE SIZE	Kv
¼" (DN 10)	6,6	1½" (DN 40)	80,0
⅜" (DN 12)	6,6	2" (DN 50)	150,0
½" (DN 15)	11,2	2½" (DN 65)	265,0
¾" (DN 20)	21,0	3" (DN 80)	415,0
1" (DN 25)	34,0	4" (DN 100)	780,0
1¼" (DN 32)	57,0		

Pressure-Temperature

P Bar



PTFE SEATS

- 1/4" - 1"
- 1 1/4" - 1 1/2"
- 2" - 4"

Actreg Actuator

DN	MOD. ADA	MOD. ASR
1/4"	ADA0010	ASR0020 F03
3/8"	ADA0010	ASR0020 F03
1/2"	ADA0010	ASR0020 F03
3/4"	ADA0010	ASR0020 F03
1"	ADA0020 F04 (1)	ASR0040 F05 (1)
1 1/4"	ADA0040 F05 (2)	ASR0080 (4)
1 1/2"	ADA0040 F05	ASR0080 (5)
2"	ADA0080 (3)	ASR0130 (3)
2 1/2"	ADA0080	ASR0200
3"	ADA0130	ASR0300 (6)
4"	ADA0200	ASR0500 (6)

*Casquillo reductor

Adapter to

- (1) 14/9
- (2) 14/11
- (3) 14/12
- (4) 17/11
- (5) 17/14
- (6) 22/17

Selection made for air pressure 6 bar and fluid clean water at 63 bar and ambient temperature.

ICP VALVES S.A.

E-Mail: sales@ icp-valves.com

Internet: www.icp-valves.com

Authorized Distributor