



Three Pieces Ball Valves

1000 WOG (63 bar)

Size ¼" – 4" (DN 10 -100) Stainless Steel



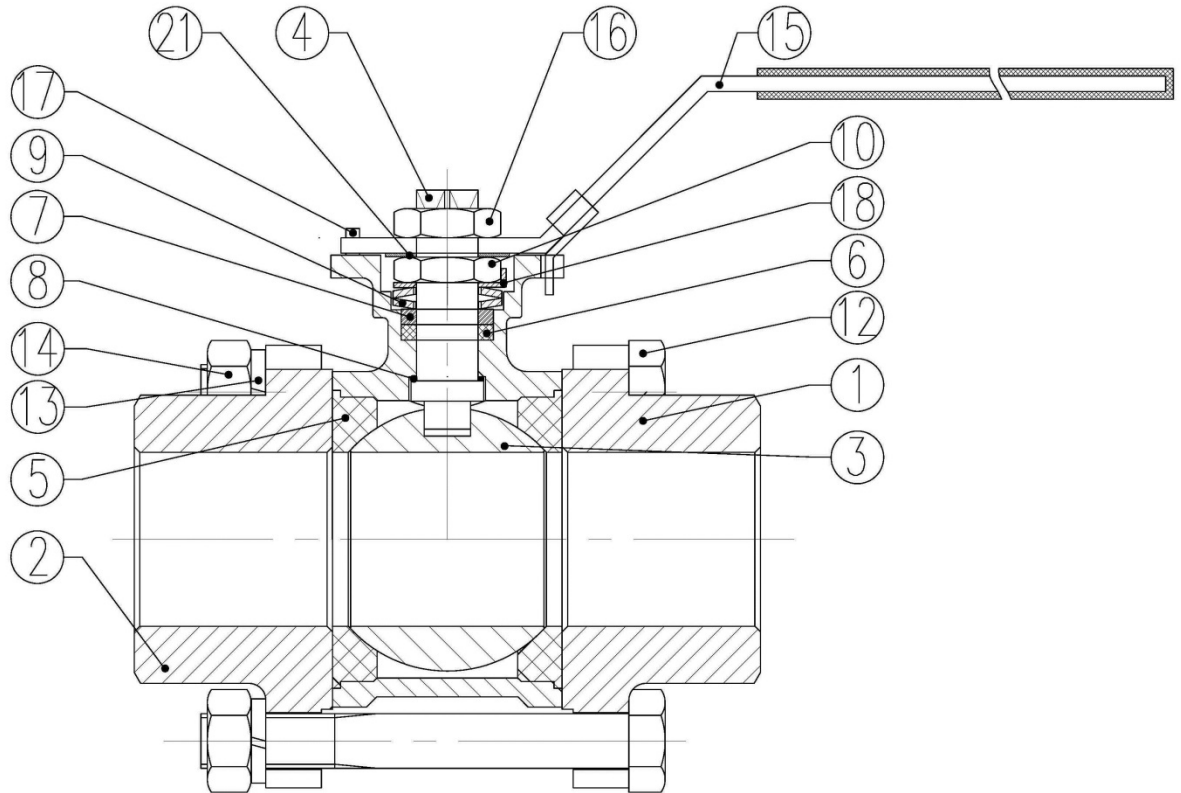
Fig. 143IMF FULL BORE

Butt Weld according:
ASME B16.25 & DIN 3239 part 1



Three Pieces Ball Valves 1000 WOG (63 bar)

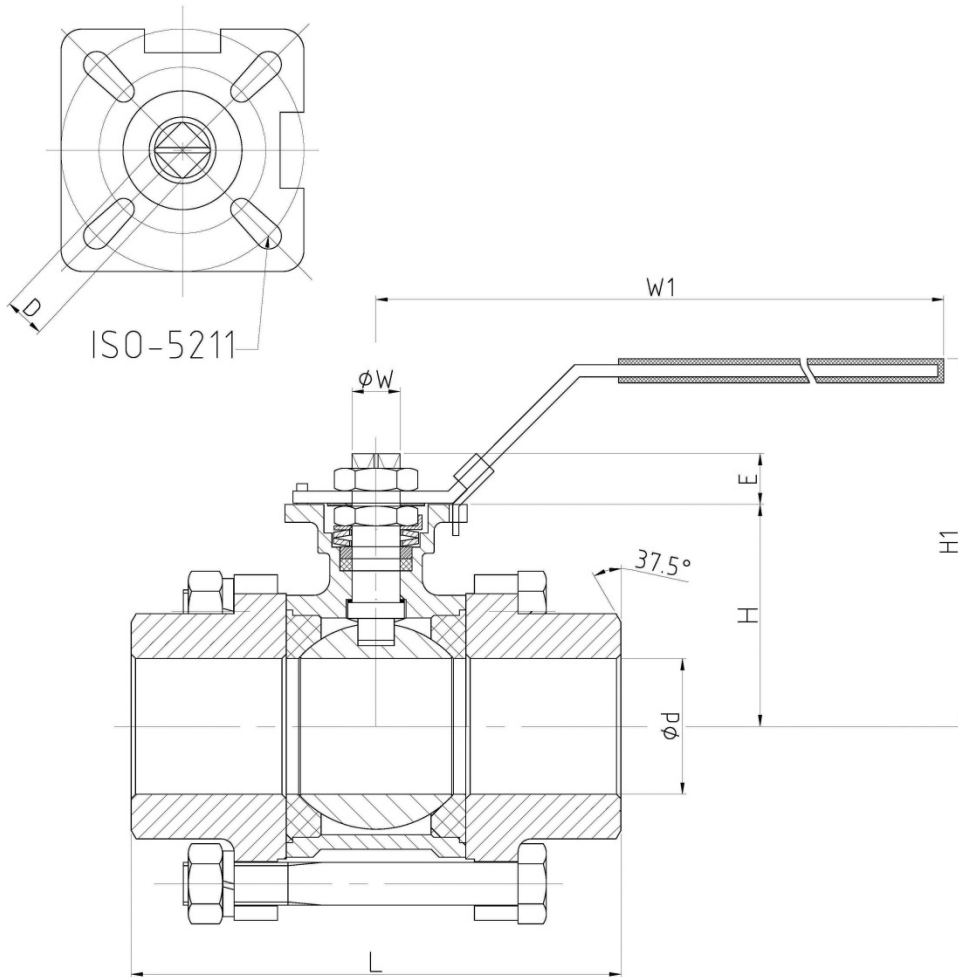
Parts and materials



Item	Description	Material
1	Body	AISI 316
2	Body connector	AISI 316
3	Ball	AISI 316
4	Stem	AISI 316
5	Seat ring	PTFE
6	Stem packing	PTFE .
7	Ring	AISI 304
8	Seat thrust seal	PTFE
9	Belleville w asher	AISI 304
10	Gland Nut	AISI 304
12	Bolt	AISI 304
13	Washer	AISI 304
14	Nut	AISI 304
15	Handle	AISI 304+PVC
16	Handle nut	AISI 304
17	Stop pin	AISI 304
18	Locking w asher	AISI 304
21	Washer	AISI 304

Three Pieces Ball Valves 1000 WOG (63 bar)

Dimensions



Dimensions

SIZE	Ød	L1	W1	H1	H	E	D	ISO 5211	WEIGHT
¼" (DN 10)	11,6	60	143	65	38	9	9	F04/03	0,59
⅜" (DN 12)	12,5	60	143	65	38	9	9	F04/03	0,58
½" (DN 15)	15	70	143	65	38	9	9	F04/03	0,57
¾" (DN 20)	20	85	143	76	47	9	9	F04/03	0,71
1" (DN 25)	25	95	168	95	60	11	11	F05/04	1,03
1¼" (DN 32)	32	110	168	95	62,7	11	11	F05/04	1,56
1½" (DN 40)	38	120	190	115	79	15	14	F07/05	2,5
2" (DN 50)	50	142	190	124	88	15	14	F07/05	3,44
2½" (DN 65)	64	166	350	140	109,1	17	17	F10/07	6,4
3" (DN 80)	76	182	350	150	116,2	17	17	F10/07	11,2
4" (DN 100)	94	227	350	175	142	22	22	F12/07	22

(*) Dimensions in mm and weight in kg.

Note:

Dimensions not subject to International Standards can vary in $\pm 10\%$. ICP reserves the right to change those dimensions without notice, due to they do not affect integrity and performance of the valves.

ICP VALVES S.A.

E-Mail: sales@ icp-valves.com

Internet: www.icp-valves.com

Authorized Distributor



Three Pieces Ball Valves 1000 WOG (63 bar)

Torque, Kv, P&T Rating, Actreg Actuator

Torque Values in Nm

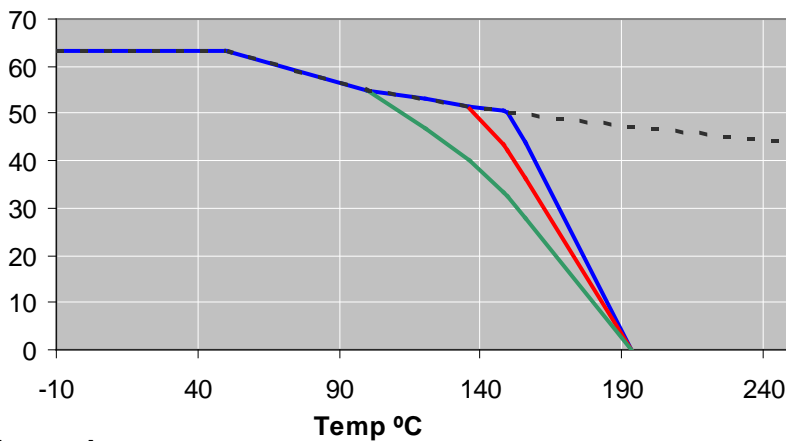
VALVE SIZE	AT DIFFERENTIAL PRESSURE 63 bar	VALVE SIZE	AT DIFFERENTIAL PRESSURE 63 bar
¼" (DN 10)	4,9	1½" (DN 40)	29,5
⅜" (DN 12)	4,9	2" (DN 50)	47
½" (DN 15)	4,9	2½" (DN 65)	58,3
¾" (DN 20)	6,5	3" (DN 80)	86,8
1" (DN 25)	13,7	4" (DN 100)	122,6
1¼" (DN 32)	21,6		

Kv Values in m³/h

VALVE SIZE	Kv	VALVE SIZE	Kv
¼" (DN 10)	6,6	1½" (DN 40)	80,0
⅜" (DN 12)	6,6	2" (DN 50)	150,0
½" (DN 15)	11,2	2½" (DN 65)	265,0
¾" (DN 20)	21,0	3" (DN 80)	415,0
1" (DN 25)	34,0	4" (DN 100)	780,0
1¼" (DN 32)	57,0		

Pressure-Temperature

P Bar



PTFE SEATS

- 1/4" - 1"
- 1 1/4" - 1 1/2"
- 2" - 4"

Actreg Actuator

DN	MOD. ADA	MOD. ASR
1/4"	ADA0010	ASR0020 F03
3/8"	ADA0010	ASR0020 F03
1/2"	ADA0010	ASR0020 F03
3/4"	ADA0010	ASR0020 F03
1"	ADA0020 F03	ASR0040 F05 *
1 1/4"	ADA0040 F05 *	ASR0080 *1
1 1/2"	ADA0040 F05	ASR0080
2"	ADA0080	ASR0130
2 1/2"	ADA0080	ASR0200
3"	ADA0130	ASR0300 *2
4"	ADA0200	ASR0500 *2

*Casquillo reductor 14/9

Adapter to 14/9

*1Casquillo reductor 14/9 cuadrado/cuadrado

Adapter to 14/9 square/square

*2Casquillo reductor 17/22

Adapter to 17/22

Selection made for air pressure 6 bar and fluid clean water at 63 bar and ambient temperature.

ICP VALVES S.A.

E-Mail: sales@ icp-valves.com

Internet: www.icp-valves.com

Authorized Distributor