

Backflow preventer

type BA - fluid category 3

Article number	R S K	Ener gy class	Appl icati on	Performanc e	Fluid categ ory	Connec tion type	Mate rial	D N
This row is for filter (IFB)/header codes (R):								I / R
	5 0 2 1 0 3 8		F	F,R	F	F	F,R	
1168B15M				Complete protection module	4	Threa d	Bra ss	1 5
	5 0 2 1 0 3 9			Complete protection module	4	Threa d	Bra ss	2 0
1168B20M				Complete protection module	4	Threa d	Bra ss	2 0
	5 0 2 1 0 4 0			Complete protection module	4	Threa d	Bra ss	2 5
1168B25M				Complete protection module	4	Threa d	Bra ss	2 5
	5 0 2 1 0 4 1			Complete protection module	4	Threa d	Bra ss	3 2
1168B32M				Complete protection module	4	Threa d	Bra ss	3 2
	5 0 2 1 0 4 2			Complete protection module	4	Threa d	Bra ss	4 0
1168B40M				Complete protection module	4	Threa d	Bra ss	4 0
	5 0 2 1 0 4 3			Complete protection module	4	Threa d	Bra ss	5 0
1168B50M				Complete protection module	4	Threa d	Bra ss	5 0

Backflow preventer

type BA - fluid category 3

Article number	R S K	Ener gy class	Appl icati on	Performanc e	Fluid categ ory	Connec tion type	Mate rial	D N
1168R15				Only pre- ventor	4	Threa d	Stai nles s steel	1 5
1168R20				Only pre- ventor	4	Threa d	Stai nles s steel	2 0
1168R25				Only pre- ventor	4	Threa d	Stai nles s steel	2 5
1168R32				Only pre- ventor	4	Threa d	Stai nles s steel	3 2
1168R40				Only pre- ventor	4	Threa d	Stai nles s steel	4 0
1168R50				Only pre- ventor	4	Threa d	Stai nles s steel	5 0

Dimension range	PN	Temperature range	Material
G 1/2 - G 2	10	0°C to 65°C	Red brass / Brass
G 1/2 - G 2	10	0°C to 65°C	Stainless steel

Rätten till ändringar utan föregående meddelande förbehålls.
Armatec ansvarar inte för eventuella tryckfel eller misstänksänd.
Dokumentet får kopieras endast i sin helhet.

Backflow preventer

type BA - fluid category 3

Range of application

Backflow preventer is used to protect the tap water system internally and externally against siphon back flow and pressure overload back flow. Prevention coverage fluid up to category 4. The backflow preventer is of the type BA in accordance with SS-EN 1717. AT 1168B and 1168R has an integrated filter and is thereby very suitable for compact installations.

PSG.260 Combined backflow preventer

Back flow preventer **AT 1168BXXM** (alt. 1168RXXM for performance in stainless steel) DNXX, complete protection module consisting of preventor type BA with double check valves and pressure controlled intermediate chamber with draining, integrated filter, inlet and outlet valves. PN 10 in threaded performance. For max prevention coverage of fluid category 4 according to SS-EN 1717.

Quality assurance

In accordance with SS-EN 1717.
DIN/DVGW type approval nr. DW-6305 BN 0290.

Material specification

		AT 1168B	AT 1168R
1	Housing	Red brass	Stainless steel
2	Check valve	Synthetic, red brass	Synthetic stainless steel
3	Checkvalve	Synthetic, red brass	Synthetic, stainless steel
4	Control valves	Brass	Stainless steel
5	Membrane, sealings	NBR, EPDM	NBR, EPDM

* = Red brass for preventers marked BA 295, brass for preventers marked 295S

Dimension and weight

AT 1168R	A	B	C	Connection	Weight
Connection				draining	preventor
G 1/2 (DN 15)	225	137	99	50	1,80
G 3/4 (DN 20)	225	137	99	50	1,80
G 1 (DN 25)	225	137	99	50	1,80
G 1 1/4 (DN 32)	327	172	153	70	5,70
G 1 1/2 (DN 40)	348	172	153	70	5,80
G 2 (DN 50)	348	172	153	70	5,90

Measurements in mm, weight in kg

Function and design

Backflow preventer type BA covers the risks up to fluid category 4 by connection of tap water. I.E. "Fluid that entails a health risk through presence of one or multiple toxic or very toxic substances or several radioactive, mutagenic or cancerous substances".

The preventer has double check valves and an intermediate chamber with draining (the draining valve is combined in an insert with the inlet check valve). The preventer works with three different pressure zones. The pressure in zone 1 is higher than in zone 2, which is higher than zone 3. A drain valve is connected in zone 2 and is opened when the pressure difference between zone 1 and zone 2 falls below 0,14 bar. The water in zone 2 is drained to the atmosphere. That way siphon and pressure overload back flow in the system is prevented.



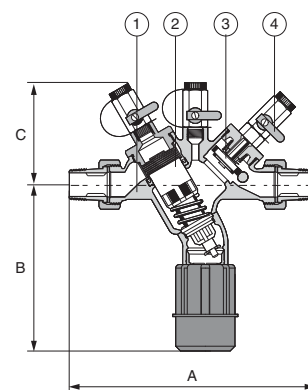
AT 1168B, 1168R

Skyddsdon
Symbol

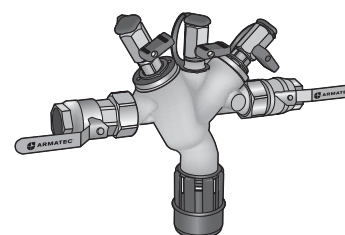
Skyddsdon
Grafisk symbol

Skyddsmodul
Grafisk symbol

Vätskek:
Vätska som medfö
närvaro av ett e
ämnen eller ett ell
mutagena eller ca



AT 1168B, 1168R



Complete protection module

Backflow preventer

type BA - fluid category 3

The backflow preventer should be installed as a complete protection module. The protection module contains a preventer type BA together with an integrated dirt filter. Shut-off valves for inlet and outlet included. It's an absolute demand that the backflow preventer is installed as a protection module.

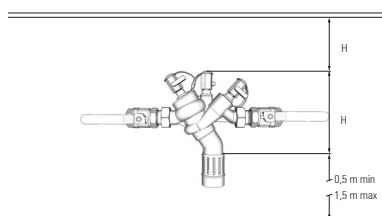
Pressure loss diagram

Maintenance and spare parts

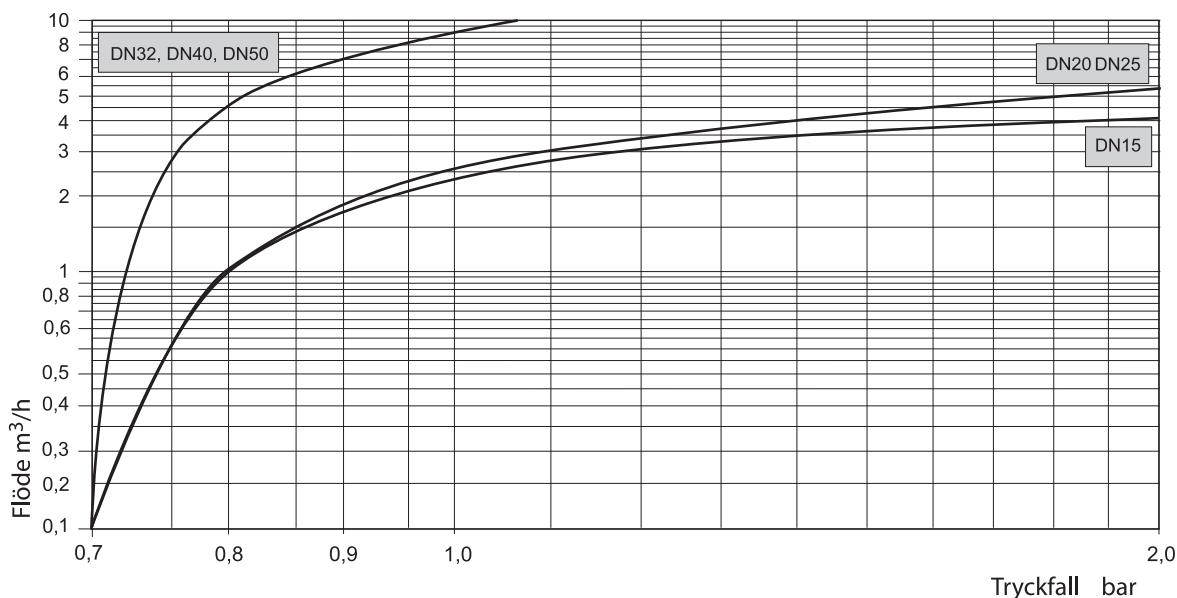
Insufficient or incorrect maintenance of a tap water installation, including backflow preventer, could result in a worse tap water quality. Regular (yearly) maintenance of the protection module should therefore be done to secure the preventer's long term function. This is a demand according to the standard SS-EN 1717. The yearly control should be performed by a controller with the proper education who is approved by Armatec AB.

For all installed backflow preventer of the type BA yearly control routines be established and a control report should be sent to the water supplier.

Armatec's service technicians are specially trained and certified for reparation and service control of backflow preventer. We offer to perform the service control and make sure that the basis for necessary reports is done.



Pump curve



AT 1168R

Maintenance and spare parts

Insufficient or incorrect maintenance of a tap water installation, including backflow preventer, could result in a worse tap water quality. Regular (yearly) maintenance of the protection module should therefore be done to secure the preventer's long term function. This is a demand according to the standard SS-EN 1717. The yearly control should be performed by a controller with the proper education who is approved by Armatec AB.

For all installed backflow preventer of the type BA yearly control routines be established and a control report should be sent to the water supplier.

Armatec's service technicians are specially trained and certified for reparation and service control of backflow preventer. We offer to perform the service control and make sure that the basis for necessary reports is done.

Rätten till ändringar utan förbehåll meddelande förbehåll.
Armatec ansvarar inte för eventuella tryckfel eller misstänksfel.
Dokumentet får kopieras endast i sin helhet.

Backflow preventer

type BA - fluid category 3

Marking

Manufacturing, DN, PN, flow direction arrow, manufacturer and manufacturing number.

Separate control marking plate.

How to order

Stainless steel	
Size	AT-no
G 1/2 (DN 15)	1168R15
G 3/4 (DN 20)	1168R20
G 1 (DN 25)	1168R25
G 1 1/4 (DN 32)	1168R32
G 1 1/2 (DN 40)	1168R40
G 2 (DN 50)	1168R50