

Level Indicator

Magnetic

AT 4950

Internet variants

Dimension range	PN	Temperature range	Material
DN 15-50	6-320	-50°C to +400 °C	Stainless steel

Range of application

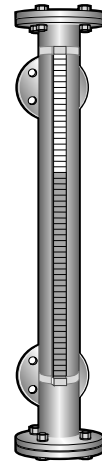
For indication of fluid level in open or closed systems, visually or via alarm contacts/reed chain.

Quality assurance

CE-Marking

Levels comply with the requirements of PED 2016:1, Pressure equipment directive.

Several certificates depending on the type and field of use are available for ex DIN 50049 3.1B, PTB/Ex, X-ray DIN 54 111, Part 1, Penetration DIN 54 152 NACE, TRD, TÜV. SAQ approval number 99-251256.01.



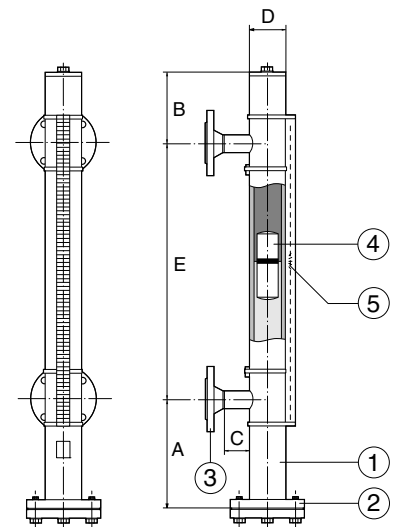
Material specification

1	Pipe	Stainless steel 1.4404
2	Bottom flange, DN 25	Stainless steel 1.4404
3	Mounting flange	Stainless steel 1.4404
4	Float	Stainless steel 1.4404
5	Reading rail	Aluminum

Measurement

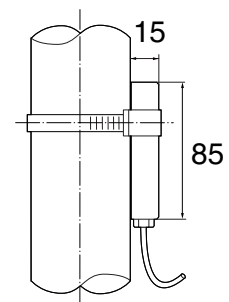
A	240
B	130
C	40
D	60,3x2
E	Specified when ordering (max. 5000 in one piece)

Måeasurement in mm



Function and design

For indication of fluid level in open or closed systems, visually or via alarm contacts/reed chain. The level plate is mounted with flanges on the side of the tank. The tube floats a magnetic float which visually indicates the level via a magnetic flip-flop. The design makes the measurement insensitive to vibration or motion in the tank. Levels are manufactured in a variety of versions with different materials, pressure classes, etc. adapted for the application. Alarm contacts can be placed at any level at the level. If you want a continuous 4-20mA signal that indicates the level in the tank, a reed chain is mounted on the level.



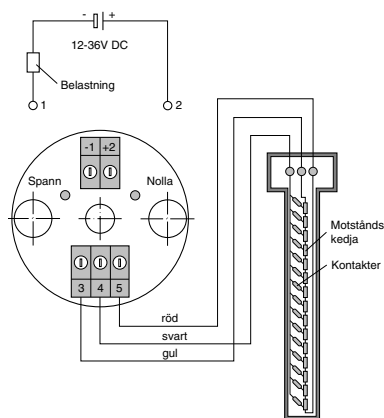
Kabellängd 3m
(standard)

Technical information

	AT 4950-3-... (standard)
Protection class	PN16
Temperature range	-50°C to +175°C
Minimum density	0,3761 kg/dm ³
Material pipes	Stainless steel 1.4404
Material reading rail	Aluminum
Connection	Flanges
Mounting	The side of the tank
Max length in one piece	5000mm

Characteristics

kyddklass	Max. spänning	Omgivande
IP 67	250 V AC 12 V DC 0,8 A 60 VA	-30... +85 (medium max.)
IP 67 Exd IIC T6	220 V AC/220 V DC 0,6 A/0,4 A 45 VA/20 W	-30... +75 (medium max.)
IP 65	220 V AC 1,5 A 80 VA	-30... +150
IP 65	220 V AC 1,5 A 80 VA	-30... +400



Reed contact-chain AT 4950-106-xxxx (specify length in mm).

In order to get a 4-20mA output dependent on the fluid level, the level can be supplemented with a reed chain. The chain is built into a 316SS steel tube and comes with transmitters. Principle sketch as shown in the picture.

Accessories and options

- Pressure ranges PN 16 up to PN320
- Float design acc. to request operating conditions
- DIN or ANSI-flanges.
- Alternatively materials: Titanium, Hastelloy C4, Inconel 625, 1.4539, PTFE-lining, PVDF, PVC or PP
- Ventilation and drainage flanges, valves, reductions, etc.
- Rinse, at the media that solidifies upon cooling
- Cryogenic version
- Digital indicator
- Display located in the transmitter housing (only with reed-chain)
- Transmitters with the interface for serial communication type Profibus, Foundation Fieldbus and HART

Switches/Alarm contacts

Other types are available on request, for e.g. IP65, IP67.

Installation

The level gauge is fitted with flanges on the side of the tank. The float is delivered next to the level gauge and should be installed in the tube with the TOP mark upwards. You can change the position of the browser block for better visibility.

Marking

The level gauge has a label with type, serial number, pressure, temperature, density indicated. The float also has an engraving with serial number and TOP-marking for the float to be installed in the tube with the top up.

How to order

Example: AT 4950-3-25-1000*

Magnetic Level Indicator PN16, DN25, length c/c 1000 mm

Type	PN	DN	Length
3 (standard)	16	25	1000

*Specify fluid, pressure and temperature when ordering.