

DOUBLE ECCENTRIC BUTTERFLY VALVES

LUG TYPE S970

Nominal diameter : DN50-DN700(2"~ 28") Other sizes on request

Flange Connection: EN1092(PN6/10/16/25)/ASME B16.5/B16.47(CL150/300)/JISB2220(JIS5K/10K/16K/30K)

Temperature range: -40 to +650 °C

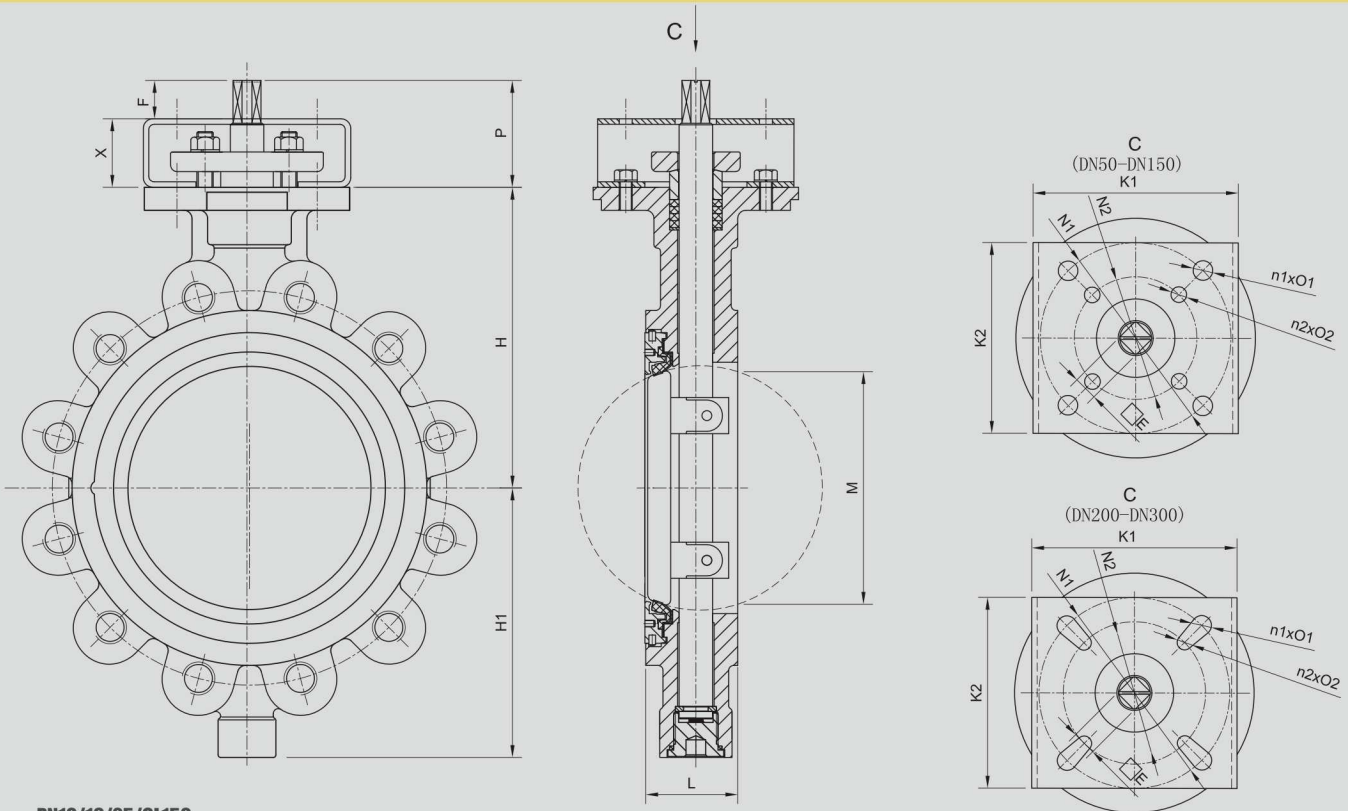
For temperatures above 450°C to 650°C, please contact us

Face to face acc.: API609/EN558-1

Top flange acc.: ISO 5211

Vacuum to $1 * 10^{-3}$ Torr absolute





PN10/16/25/CL150

DN	E	F	P	H	H1	K1	K2	L	N1	N2	n1 x O1	n2 x O2	X	M
50	12	15	65	108	91	90	70	43	70	50	4xΦ9	4XΦ7	(50)	44.29
65	12	15	65	123	101	90	70	46	70	50	4xΦ9	4XΦ7	(50)	61.49
80	12	15	65	133	107	90	70	46	70	50	4xΦ9	4XΦ7	(50)	74.38
100	12	15	65	155	115	90	70	52	70	50	4xΦ9	4XΦ7	(50)	93.47
125	17	20	65	173	155	110	100	56	102	70	4xΦ11	4XΦ9	(45)	119.34
150	17	20	65	183	164	110	100	56	102	70	4xΦ11	4XΦ9	(45)	138.39
200	19	25	85	218	195	140	120	60	125	102	4xΦ13	4XΦ11	(60)	189.79
250	22	25	85	253	230	140	120	68	125	102	4xΦ13	4XΦ11	(60)	238.51
300	27	30	90	278	260	160	140	78	140	102	4xΦ17	4XΦ11	(60)	277.31

CL300

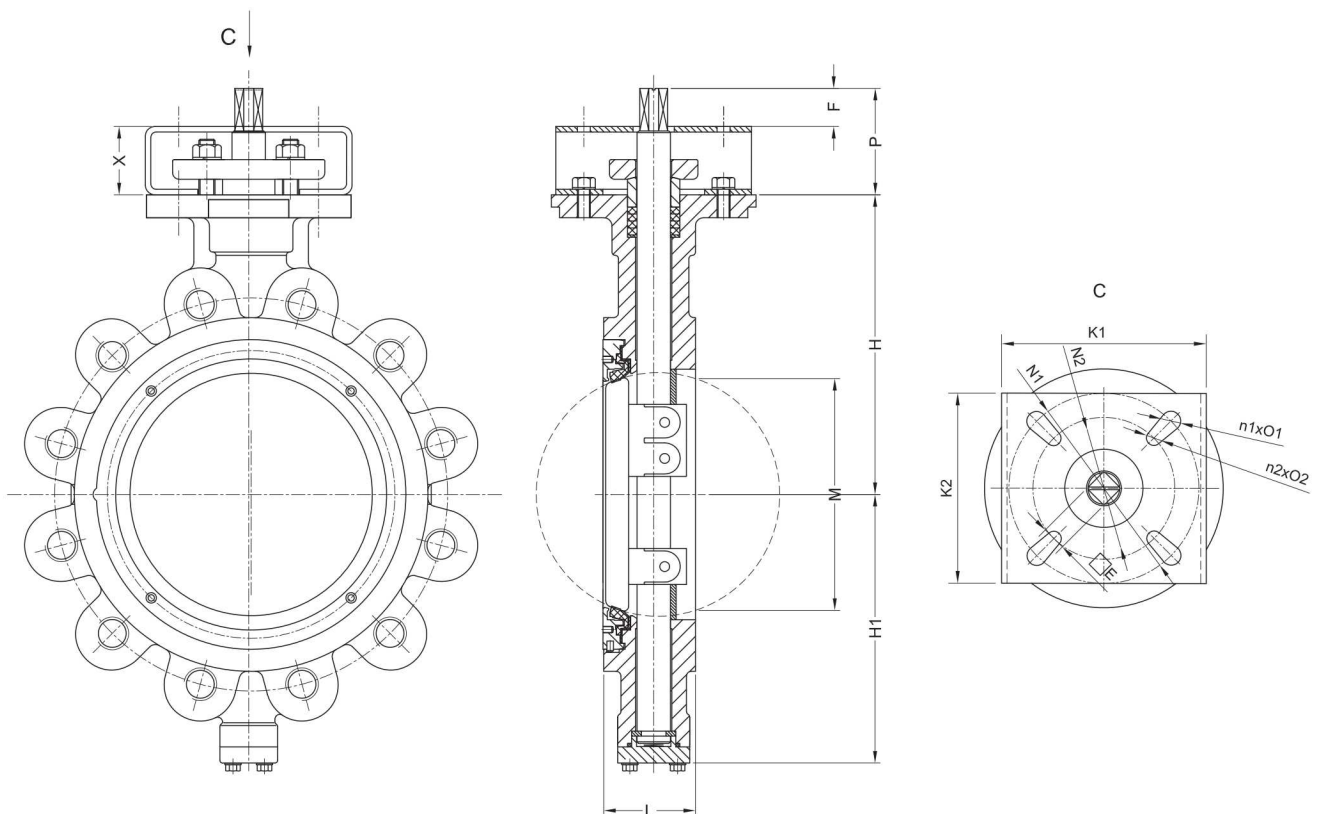
DN	E	F	P	H	H1	L	K1	K2	N1	N2	n1 x O1	n2 x O2	X
80	17	20	65	158	123	48	110	100	102	70	4xΦ11	4xΦ9	(45)
100	17	20	65	178	128	54	110	100	102	70	4xΦ11	4xΦ9	(45)
125	22	25	85	190	189	59	140	120	125	102	4xΦ13	4xΦ11	(60)
150	22	25	85	214	172	59	140	120	125	102	4xΦ13	4xΦ11	(60)
200	27	30	90	235	218	73	160	140	140	102	4xΦ17	4xΦ11	(60)
250	30	32	92	285	265	83	160	140	140	102	4xΦ17	4xΦ11	(60)

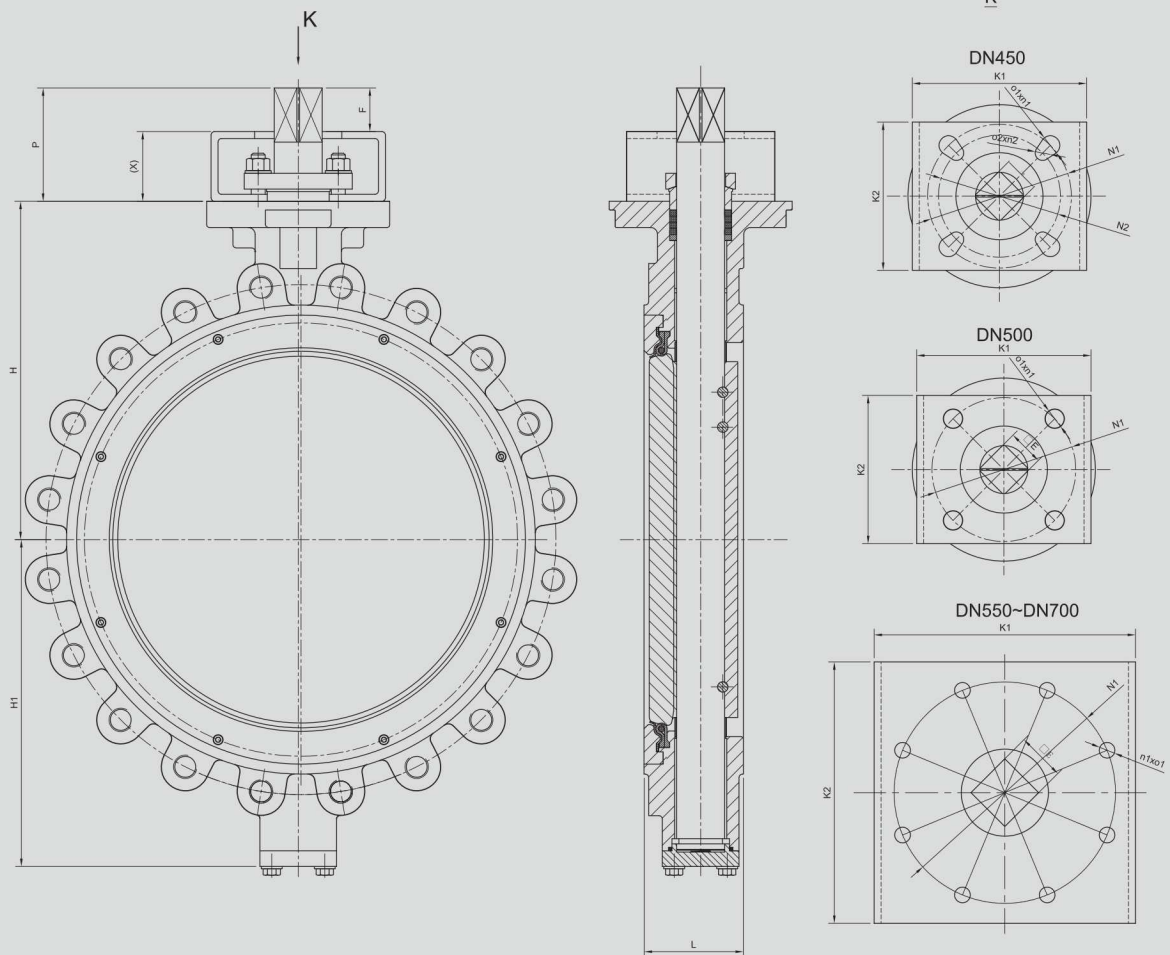
DOUBLE ECCENTRIC BUTTERFLY VALVES

LUG TYPE S970

PN10/16/25/CL150

DN	E	F	P	H	H1	K1	K2	L	N1	N2	n1 x 01	n2 x 02	X	M
350	30	32	92	318	308	160	140	92	140	102	4xΦ17	4XΦ11	(60)	330.74
400	36	44	124	363	354	170	160	102	165	140	4xΦ22	4XΦ17	(80)	374.32





PN10/16/25/CL150

DN	E	F	P	H	H1	L	K1	K2	N1	N2	n1x01	n2x02	X
450	41	50	130	388	375	114	200	170	165	140	4×Φ22	4×Φ17	(80)
500	46	54	134	432	413	127	200	170	165	/	4×Φ22	/	(80)
550	55	63	163	458	439	154	300	300	254	/	8×Φ18	/	(100)
600	55	63	163	488	450	154	300	300	254	/	8×Φ18	/	(100)
650	55	63	163	516	500	165	300	300	254	/	8×Φ18	/	(100)
700	Φ90 2-25×14×110	120	240	576	542	165	360	350	298	/	8×Φ22	/	(120)