

## DOUBLE ECCENTRIC BUTTERFLY VALVES

### DOUBLE FLANGE TYPE S980

Nominal diameter : DN50-DN700(2"~28" ) Other sizes on request

Flange Connection: EN1092(PN6/10/16/25 ) /ASME B16.5/B16.47(CL150/300) /JISB2220 (JIS5K/10K/16K/30K)

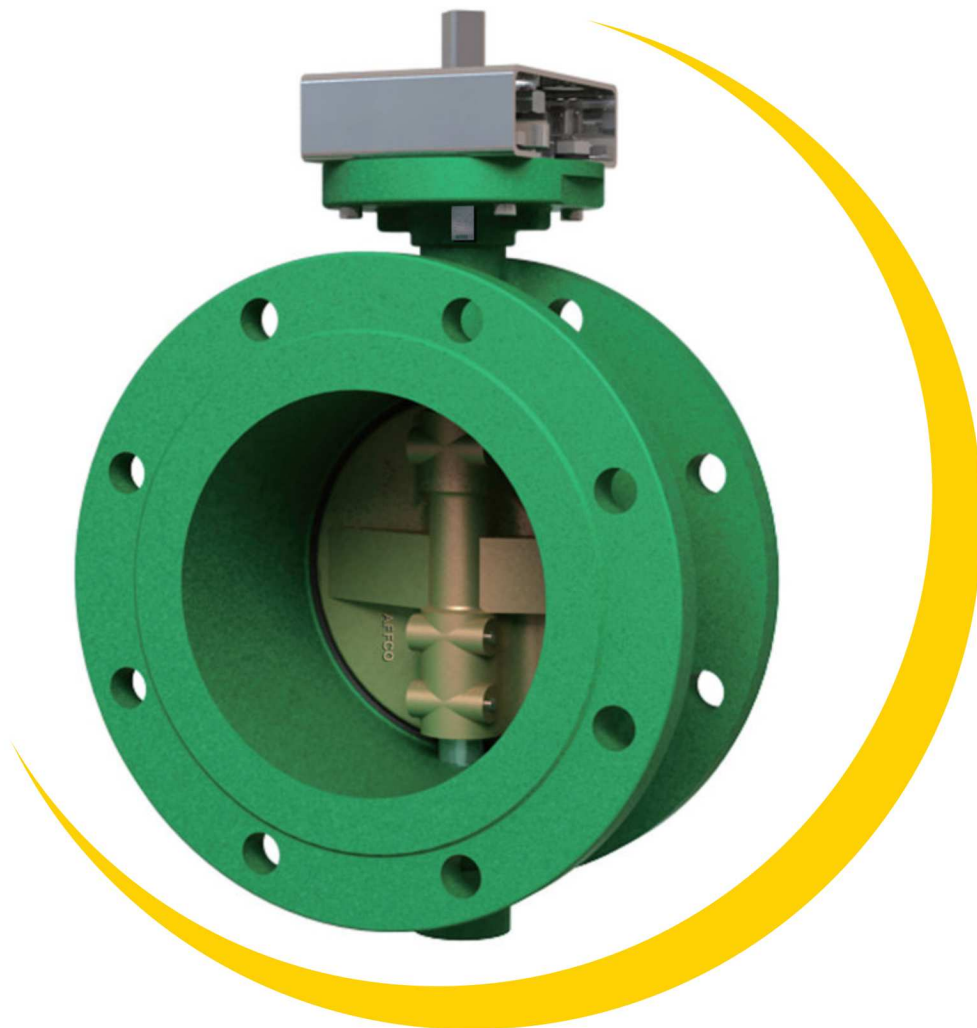
Temperature range: -40 to +650 °C

For temperatures above 450°C to 650°C, please contact us

Face to face acc.: API609/EN558-1

Top flange acc.: ISO 5211

Vacuum to  $1 \times 10^{-3}$  Torr absolute

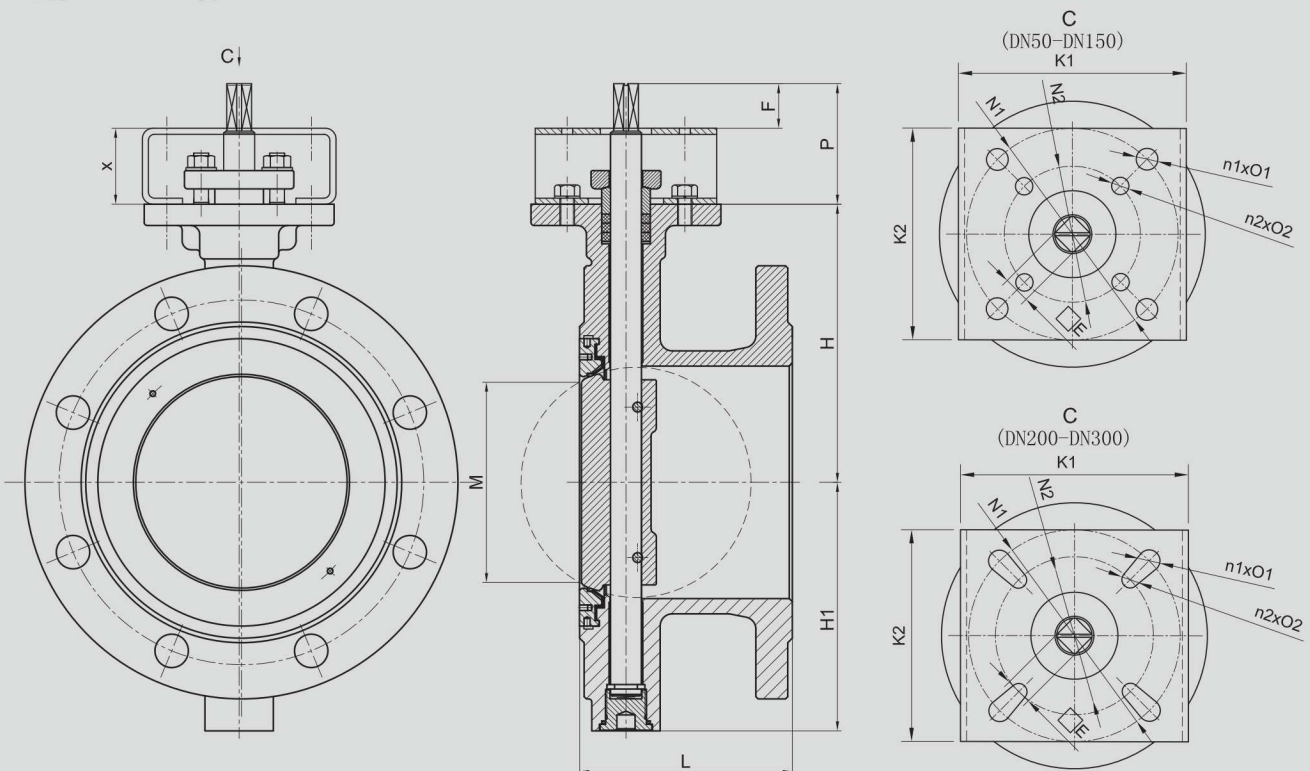


**PN10/16/25/CL150**

| DN  | E  | F  | P  | H   | H1  | K1  | K2  | L   | N1  | N2  | n1x01 | n2x02 | X    | M      |
|-----|----|----|----|-----|-----|-----|-----|-----|-----|-----|-------|-------|------|--------|
| 50  | 12 | 15 | 65 | 108 | 91  | 90  | 70  | 108 | 70  | 50  | 4xΦ9  | 4xΦ7  | (50) | 28.82  |
| 65  | 12 | 15 | 65 | 123 | 101 | 90  | 70  | 112 | 70  | 50  | 4xΦ9  | 4xΦ7  | (50) | 50.49  |
| 80  | 12 | 15 | 65 | 133 | 107 | 90  | 70  | 114 | 70  | 50  | 4xΦ9  | 4xΦ7  | (50) | 66.78  |
| 100 | 12 | 15 | 65 | 155 | 115 | 90  | 70  | 127 | 70  | 50  | 4xΦ9  | 4xΦ7  | (50) | 86.88  |
| 125 | 17 | 20 | 65 | 173 | 155 | 110 | 100 | 140 | 102 | 70  | 4xΦ11 | 4xΦ9  | (45) | 111.02 |
| 150 | 17 | 20 | 65 | 183 | 164 | 110 | 100 | 140 | 102 | 70  | 4xΦ11 | 4xΦ9  | (45) | 131.53 |
| 200 | 19 | 25 | 85 | 218 | 195 | 140 | 120 | 152 | 125 | 102 | 4xΦ13 | 4xΦ11 | (60) | 183.24 |
| 250 | 22 | 25 | 85 | 253 | 230 | 140 | 120 | 165 | 125 | 102 | 4xΦ13 | 4xΦ11 | (60) | 229.04 |
| 300 | 27 | 30 | 90 | 278 | 260 | 160 | 140 | 178 | 140 | 102 | 4xΦ17 | 4xΦ11 | (60) | 269.65 |

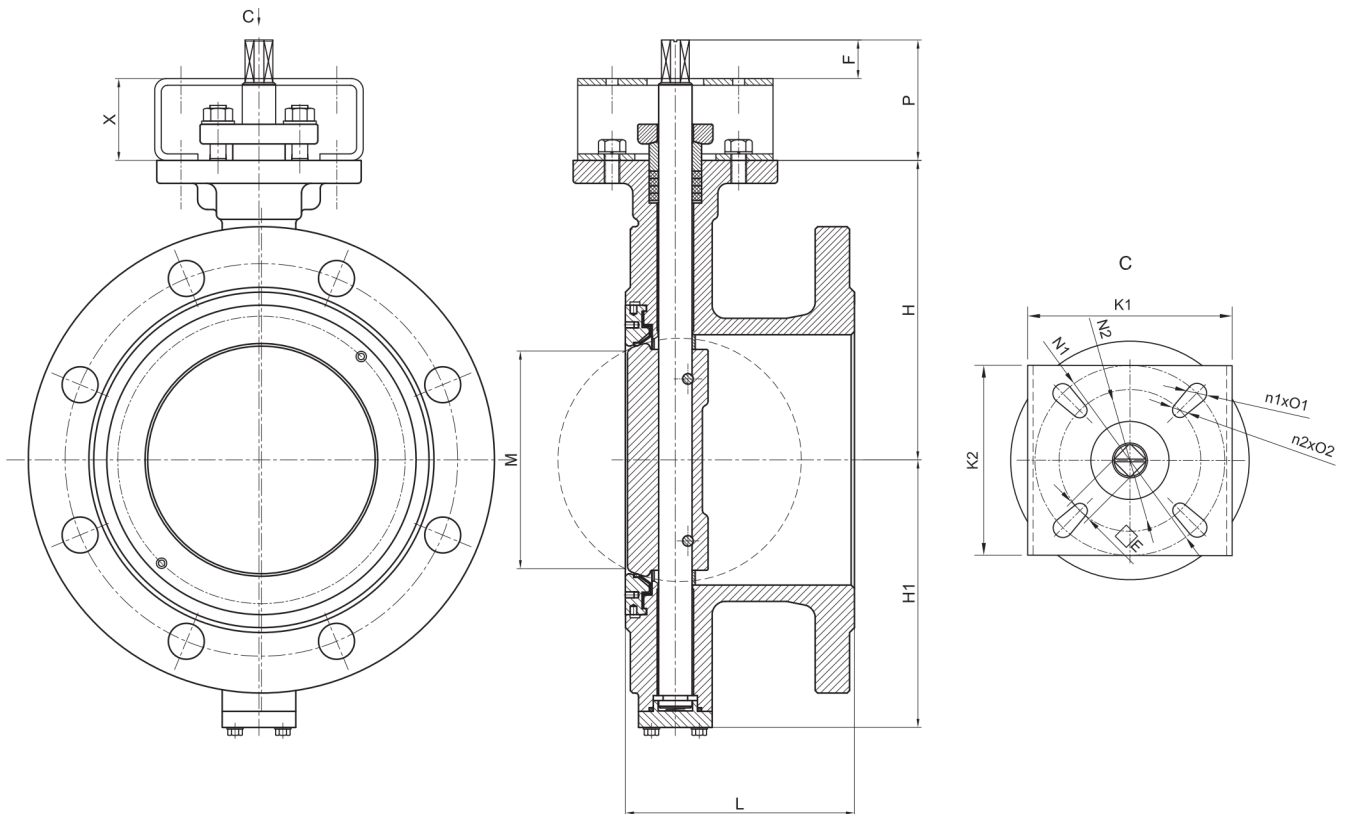
**CL300**

| DN  | E  | F  | P  | H   | H1  | L   | K1  | K2  | N1  | N2  | n1x01 | n2x02 | X    |
|-----|----|----|----|-----|-----|-----|-----|-----|-----|-----|-------|-------|------|
| 80  | 17 | 20 | 65 | 158 | 123 | 114 | 110 | 100 | 102 | 70  | 4xΦ11 | 4xΦ9  | (45) |
| 100 | 17 | 20 | 65 | 178 | 128 | 127 | 110 | 100 | 102 | 70  | 4xΦ11 | 4xΦ9  | (45) |
| 125 | 22 | 25 | 85 | 190 | 189 | 140 | 140 | 120 | 125 | 102 | 8xΦ13 | 4xΦ11 | (60) |
| 150 | 22 | 25 | 85 | 214 | 172 | 140 | 140 | 120 | 125 | 102 | 8xΦ13 | 4xΦ11 | (60) |
| 200 | 27 | 30 | 90 | 235 | 218 | 152 | 160 | 140 | 140 | 102 | 8xΦ17 | 4xΦ11 | (60) |
| 250 | 30 | 32 | 92 | 285 | 265 | 165 | 160 | 140 | 140 | 102 | 8xΦ17 | 4xΦ11 | (60) |



# DOUBLE ECCENTRIC BUTTERFLY VALVES

## DOUBLE FLANGE TYPE S980



| DN  | E  | F  | P   | H   | H1  | K1  | K2  | L   | N1  | N2  | n1xO1 | n2xO2 | X    | M      |
|-----|----|----|-----|-----|-----|-----|-----|-----|-----|-----|-------|-------|------|--------|
| 350 | 30 | 32 | 92  | 318 | 308 | 160 | 140 | 190 | 140 | 102 | 4xΦ17 | 4xΦ11 | (60) | 318.06 |
| 400 | 36 | 44 | 124 | 363 | 354 | 200 | 170 | 216 | 165 | 140 | 4xΦ21 | 4xΦ17 | (80) | 360.19 |

| DN  | E               | F   | P   | H   | H1  | L   | K1  | K2  | N1  | N2  | n1x01 | n2x02 | X     |
|-----|-----------------|-----|-----|-----|-----|-----|-----|-----|-----|-----|-------|-------|-------|
| 450 | 41              | 50  | 130 | 388 | 375 | 222 | 200 | 170 | 165 | 140 | 4×Φ22 | 4×Φ17 | (80)  |
| 500 | 46              | 54  | 134 | 432 | 413 | 229 | 200 | 170 | 165 | /   | 4×Φ22 | /     | (80)  |
| 550 | 55              | 63  | 163 | 458 | 439 | 267 | 300 | 300 | 254 | /   | 8×Φ18 | /     | (100) |
| 600 | 55              | 63  | 163 | 488 | 450 | 267 | 300 | 300 | 254 | /   | 8×Φ18 | /     | (100) |
| 650 | 55              | 63  | 163 | 516 | 500 | 292 | 300 | 300 | 254 | /   | 8×Φ18 | /     | (100) |
| 700 | Φ90 2-25×14×110 | 120 | 240 | 576 | 542 | 292 | 360 | 350 | 298 | /   | 8×Φ22 | /     | (120) |

